

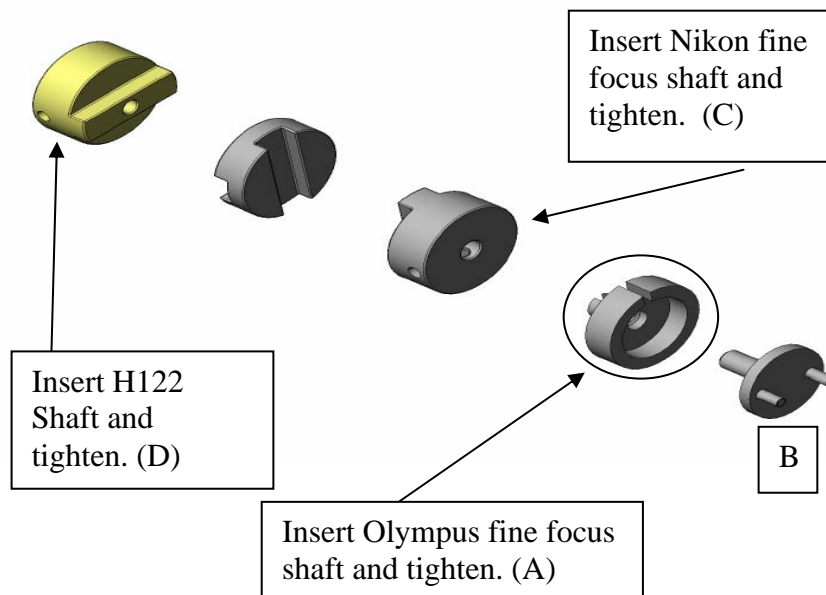
H122KON Direct focus coupling Kit for Olympus and Nikon instruments.

Installation instructions.

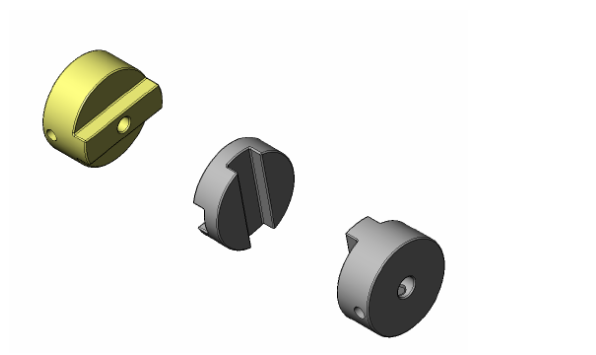
Exploded Diagram of H122KON kit assembly.

1. Remove fine focus knob from microscope.
2. Select the correct set of parts for your microscope.
 - a. A: Fit to Olympus focus
 - b. B: Adaptor for microscopes without fine focus shaft.
 - c. C: (Two Parts, different hole diameter) Fit to Nikon focus shaft, or to fit parts A and B.
3. Assemble the parts in the order shown.
 - a. Remove friction pad from end of motor shaft.
 - i. Flat head screw access by hole in motor cover.
 - ii. Turn motor until screw lines up with hole.
 - b. Attach D to H122 shaft.
 - c. Attach A, B, and C as appropriate to microscope fine focus shaft.
4. Place focus sleeve on microscope coarse focus.
5. Push H122 cover over focus sleeve and tighten.
6. Insert H122 motor and locate in coupling.
 - a. Lock H122 in position with screw.

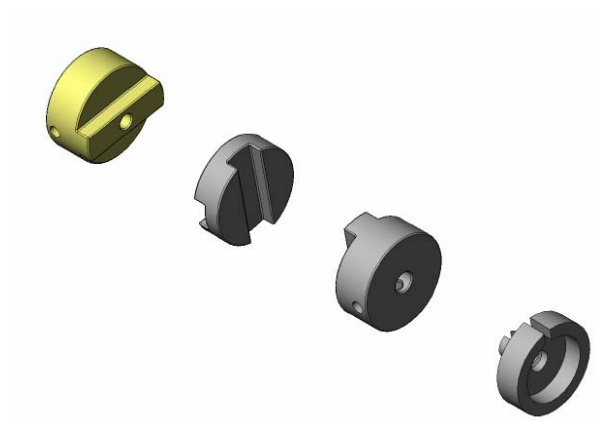
Exploded diagram of system parts.



Most Common Nikon parts:



Most Common Olympus Parts:



Nikon TE2000 Kit.

